

PROline

PROline

The PROline cabinets provide an economic solution cabling installations.

This series is a range of wall mounted or/and free standing enclosures used in offices for horizontal segments where a reduced amount of U height is required.

Again the aesthetics creating a pleasing and professional look.

Attention to styling with light gray Ral7035 with left and right metal frames mean that cabinets can be deployed in the most demanding

of office environments when looks really matter. Front door frames is available with decorative trim or customized as orange

blue, green, light blue, red.

Optimal mounting, hinging and panel mounting arrangements create a variety

of equipment mounting an access arrangements. This allow the PROline to be used in almost all locations.

Completely standart PROline wall mounting cabinet is delivered as a single enclosure and

assembled.

Wall mounted sabinets could be used as free standing by using accessories castor or levelling feet under a table or in any enviroment.

STANDARDS

- ISO9001:2000
- 19" mounting to IEC 297-1
- Overall cabinet dimensions to IEC 297-2

COMPLIANCES:

UL and cUL

Estop products are registered in USA with SETT bandname.



PROline

FEATURES

- Easy to access

Front door features a full-length smoked and shatterproof glass door with decorative accent trim reinforced with left/right metal frames and integral locking mechanism.

Side doors; lockable, removable complete with a locks.

Rear door; mechanically lockable, removable it is used as mounting plate at the same time. When mounting the enclosure, rear door is removed and mounted directly to wall and enclosure plug-in to the rear door. It's benefits that, straight on wall, fast installation, low manpower, save time and cost-effective solution. All giving you 4-way access to equipment.



PROline

FEATURES

Multiple cable entry points on top (1ea) and bottom(1ea), provide maximum versatility. There is a rubberedge sliding cover mechanism that protects and fix the cables. On the rear door, there is also a cable entry hole closed with cover. When it is used, it is replaced with on of top/bottom rubber edge sliding cover mechanism.

• Construction

Rigid welded frame construction is in steel sheet. Corner of bases have welded sockets on each corner that tightly fixed into the columns gives maximum stability.

Frames are made with 24-fold design for increased stability.



Vented top cover provide passive heat transportation via convection. There are vented fan holes suitable for cooling unit. (see accessories)

19" mounting angles (front/2ea.) allow for flexible configuration and adjustable in depth. Extensive range of accessories.

PROline

3 Different Depths

Depth=450mm.

Depth=560mm.

Depth=(110+450)mm. Double section.

5 different height

7U, 9U, 12U, 16U, 20U

**High stock availability
for standard products**





Double Sectioned Cabinets (110+450)mm.

It allows for maintenance and installation from back. Easy to access when opening 2nd. section of the cabinet. Because of heavy duty hinges, cabinet opening is 180degree and lockable.

Stand alone application

All PROLINE cabinets can be used as stand alone by using castor group or with levelling feet.

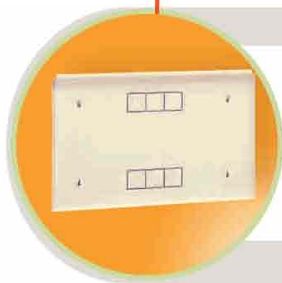
(please see the accessories for levelling feet and castor group)

It is gives an advantage to use under table or narrow places.

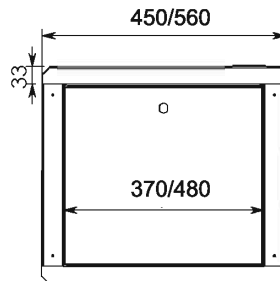
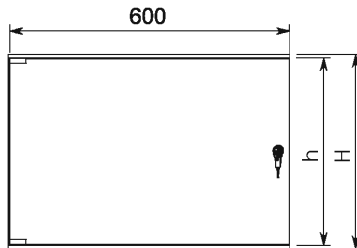
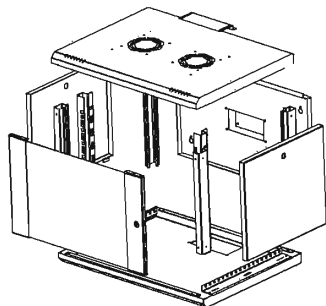


Easy to mount on wall

All PROLINE cabinets rear service door is removable. It is removed easily and one people enough to sign, drill and fix on the wall. After than, cabinet is placed, hanged on this rear plate. It reduce labour costs and provide an excellent job for fixing. Without hanging the cabinet on wall, the worker can do all it job and finish by sitting any place. Than it can be easily hanged on mounting plate/rear door.



Easy, straight, fast installation,
low manpower



Explode View

Front View

Side View

width= 600 mm. depth = 450 mm.

Order No.	U (44,45 mm)	h inside height (mm)	H outside height (mm)
PRL07U45	7	333	402
PRL09U45	9	422	491
PRL12U45	12	555	624
PRL16U45	16	733	802
PRL20U45	20	911	980

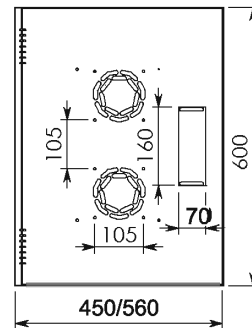
width= 600 mm. depth = 560 mm.

Order No.	U (44,45 mm)	h inside height (mm)	H outside height (mm)
PRL07U56	7	333	402
PRL09U56	9	422	491
PRL12U56	12	555	624
PRL16U56	16	733	802
PRL20U56	20	911	980

(Double Sectioned)

width= 600 mm. depth = (110+450) mm.

Order No.	U (44,45 mm)	h inside height (mm)	H outside height (mm)
PRD07U56	7	333	402
PRD09U56	9	422	491
PRD12U56	12	555	624
PRD16U56	16	733	802



Top View



Note: Standard colour is RAL7035 white. For different colour options, please call to sales department. Unless noted otherwise, it is shipped RAL7035.