

SOHOline

- * **Offices**
- * **Computer Aided Classes**
- * **Schools**
- * **Government Offices**
- * **Hotels**
- * **Branch Offices**

19" SOHoline cabinets provides an economical solution for wall mount mini cabinets. The SOHoline features a modular, sturdy and compact design, ideal installations for,



Modular flatpackage design

REDUCE

%70 SHIPMENT
COSTS

REDUCE

%50 LABOUR COSTS



Samples for transportation

One minibus 100 ea. 7U SOHO cabinet

One regular car 20ea 7U SOHO cabinet

One 40ft. container 1200ea 7U SOHO cabinet

Max. assembly time: 10minute.



19" SOHoline cabinets provides an economical solution for wall mount mini-cabinets. The SOHoline features a modular, sturdy and compact design, ideal installation for,

- * Offices
- * Computer Aided Classes
- * Schools
- * Government Offices
- * Hotels
- * Branch Offices

REDUCE;

%70 SHIPMENT

%50 LABOUR COSTS

Packing:

Unit comes in a FLAT PACKAGE, minimum assembly required. Load Carrying capacity: 30kg.

STANDARDS

- * ISO9001:2000
- * 19" mounting to IEC 297-1
- * Overall cabinet dimensions to IEC 297-2

width= 520 mm. depth = 400 mm.				
Order No.	U (44,45 mm)	h inside height (mm)	H outside height (mm)	flat package dimension (wx dxh)
SOH07U40	7	314,3	359,1	555*422*125
SOH09U40	9	403,2	448	620*540*130
SOH12U40	12	536,55	581,35	820*540*130
SOH08U30**	6	269,85	314,85	555*422*125

(* for 6U depth=300 mm.)

COMPLIANCES:

UL and cUL

FEATURES

Easy to access

Front door features a full-length smoked and shatterproof glass door integral locking mechanism.

Rear door; removable with 4 screws.

* Cable access

Pre-punched two(2) brush opening, one on top, one on bottom. Removable rear cable access panel.

Construction

Rigid frame construction in steel sheet, rapidly dismantled per 3 screw per corner. Top base is vented, pre-punched holes are available for top mount cooling system.

19" mounting angles (front/2ea.) and allow for flexible configuration and adjustable in depth.

Extensive range of accessories

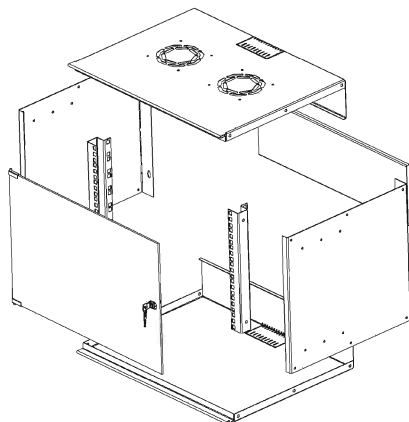


Note: Standard colour is RAL7035 white. For different colour options, please call to sales department. Unless noted otherwise, it is shipped RAL7035 white colour.

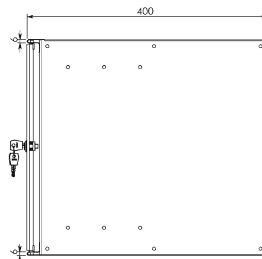


Technical Drawing

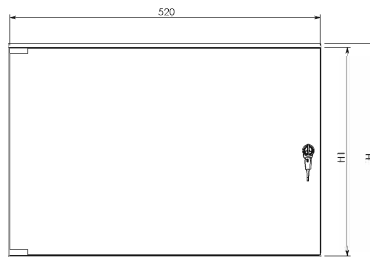
All dimensions are in mm.



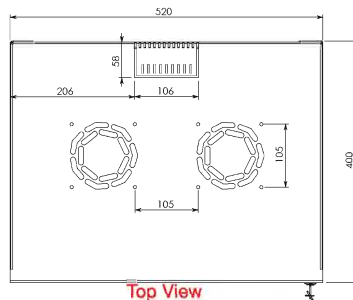
Explode View



Side View



Front View



Top View



SOHoline 10”

Suitable for 8-16 PORT NETWORK DISTRIBUTION

10” SOHoline cabinets provides an economical solution for wall mount mini cabinets. The SOHoline features a modular, sturdy and compact design, ideal installations for, Small Offices, Home Office applications. Attractive compact design 8 port or/and 16 port. Housing for



*Offices

*Computer Aided Classes

*Schools

*Government Offices

*Hotels

*Branch Offices

10” Wall Mounting Type SOHoline

Order No.	Product Definition	flat package dimension (wxdxh)
SOH06U25	10” 6U wall mounting cabinet	315*310*335
SOHSR10	1U 10” Component shelf	271*160*55
SOHORG10	1/2U 10” Cable Management Panel	
SOHPP8P	1U 10” Patch Panel (unloaded) suitable for 8 RJ45 entry	
SOHTGP3P	1U 10” 3 way power strip with on/off switch and powercord	271*160*55
SOHORG10KNC	1U 10” Cable Management Panel with 3 ring	